

2011/12 OVERTURE ORDER FORM

Order single tickets or pick 4 or more shows. The more you pick, the better your seats will be!

Enter the number of tickets for each show and circle the ticket price to indicate your seating preference.

PERFORMANCE	DATE	QTY	SINGLE TICKETS					SUBSCRIPTION TICKETS					TOTAL
			A	B	C	D	E	A	B	C	D	E	
Miles Davis Experience (CT)	10/11, 7:30 PM		\$35.50	\$29.50	\$21.50			\$32.50	\$26.50	\$18.50			
*ImaginOcean (CT) 🐳	10/16, 3 PM		\$18	\$18	\$16			\$18	\$18	\$16			
Radio and Juliet (CT)	10/25, 7:30 PM		\$39.50	\$32.50	\$20			\$37.50	\$30.50	\$18			
*Straight No Chaser (OH) 🏠	10/26, 7:30 PM		NA	NA	\$39.50	\$34.50	\$29.50	NA	NA	\$39.50	\$34.50	\$29.50	
David Sedaris (OH)	10/28, 8 PM		NA	\$53	\$48	\$42	\$32	NA	\$53	\$48	\$42	\$32	
Intergalactic Nemesis (CT) 🏠	11/4, 7 PM		NA	\$25	\$20			NA	\$25	\$20			
Cabaret Dinner: Memory of... (CTS)	11/10, 7 PM		NA					NA					
Mannheim Steamroller (OH) 🏠	11/20, 4:30 PM		NA	\$83	\$76	\$56	\$39	NA	\$83	\$76	\$56	\$39	
Disney's Beauty and the Beast (OH) 🏠	12/6, 7:30 PM		NA	NA	\$60	\$50	\$40	NA	NA	\$42	\$35	\$28	
	12/7, 7:30 PM		NA	NA	\$60	\$50	\$40	NA	NA	\$42	\$35	\$28	
	12/8, 7:30 PM		NA	NA	\$70	\$53	\$40	NA	NA	\$57.25	\$47.50	\$34	
	12/9, 8 PM		NA	NA	\$70	\$53	\$40	NA	NA	\$67.75	\$53	\$40	
	12/10, 2 PM 🐼		NA	\$75	\$70	\$53	\$40	NA	\$72.50	\$67.75	\$53	\$40	
	12/10, 8 PM		NA	NA	\$70	\$53	\$40	NA	NA	\$67.75	\$53	\$40	
	12/11, 1 PM		NA	\$75	\$70	\$53	\$40	NA	\$72.50	\$67.75	\$53	\$40	
	12/11, 6:30 PM		NA	NA	\$70	\$53	\$40	NA	NA	\$57.25	\$47.50	\$34	
*Magic School Bus (CT) 🐳	1/21, 11 AM		NA	\$20	\$16			NA	\$20	\$16			
Blue Man Group (OH)	1/24, 7:30 PM		NA	NA	\$60	\$50	\$40	NA	NA	\$42	\$35	\$28	
	1/25, 7:30 PM		NA	NA	\$60	\$50	\$40	NA	NA	\$42	\$35	\$28	
	1/26, 7:30 PM		NA	\$75	\$70	\$53	\$40	NA	\$60	\$56	\$47.50	\$34	
	1/27, 8 PM		NA	\$75	\$70	\$53	\$40	NA	\$71.25	\$66.50	\$53	\$40	
	1/28, 2 PM 🐼		\$80	\$75	\$70	\$53	\$40	\$76	\$71.25	\$66.50	\$53	\$40	
	1/28, 8 PM		NA	\$75	\$70	\$53	\$40	NA	\$71.25	\$66.50	\$53	\$40	
	1/29, 1 PM		\$80	\$75	\$70	\$53	\$40	\$76	\$71.25	\$66.50	\$53	\$40	
	1/29, 6:30 PM		\$80	\$75	\$70	\$53	\$40	\$64	\$60	\$56	\$47.50	\$34	
Wonder Bread Years (CT)	1/28, 8 PM		NA	\$29.50	\$21.50			NA	\$26.50	\$18.50			
Patti LuPone (OH)	2/1, 7:30 PM		NA	\$65	\$55	\$45	\$35	NA	\$62	\$52	\$42	\$33	
Hubbard Street Dance Chicago (OH)	2/3, 8 PM		NA	\$42.50	\$36.50	\$27.50	\$23.50	NA	\$39.50	\$33.50	\$24.50	\$21.50	
Cabaret Dinner: Sedaka Show (CTS)	2/9, 7 PM		NA					NA					
*Peking Acrobats (OH) 🏠	2/12, 3 PM		\$36.50	\$36.50	\$28.50	\$20.50	\$15.50	\$34.50	\$34.50	\$26.50	\$18.50	\$13.50	
Jim Brickman (OH)	2/14, 7:30 PM		\$53.50	\$49.50	\$42.50	\$28.50	\$20.50	\$50.50	\$47.50	\$39.50	\$25.50	\$18.50	
Ira Glass (OH)	2/18, 8 PM		\$45.50	\$45.50	\$40.50	\$30.50	\$25.50	\$42.50	\$42.50	\$38.50	\$28.50	\$22.50	
*A Brown Bear, A Moon ... (CT) 🐳	2/18, 11 AM		\$18	\$18	\$14			\$18	\$18	\$14			
*Ballet Folklórico (OH) 🏠	2/21, 7:30 PM		\$20	\$20	\$15	\$15	\$12	\$20	\$20	\$15	\$15	\$12	
Fiddler on the Roof (OH)	2/24, 8 PM		NA	\$63	\$55	\$45	\$35	NA	\$57	\$49.75	\$40.75	\$31.75	
	2/25, 2 PM 🐼		NA	\$63	\$55	\$45	\$35	NA	\$57	\$49.75	\$40.75	\$31.75	
	2/25, 8 PM		NA	\$63	\$55	\$45	\$35	NA	\$57	\$49.75	\$40.75	\$31.75	
	2/26, 1 PM		NA	\$63	\$55	\$45	\$35	NA	\$57	\$49.75	\$40.75	\$31.75	

PERFORMANCE	DATE	QTY	SINGLE TICKETS					SUBSCRIPTION TICKETS					TOTAL
			A	B	C	D	E	A	B	C	D	E	
*Celtic Nights (OH) 🏠	2/29, 7:30 PM		NA	\$35.50	\$29.50	\$25.50	\$21.50	NA	\$32.50	\$27.50	\$23.50	\$19.50	
Rain (OH) 🏠	3/2, 8 PM		NA	NA	NA	\$43	\$29	NA	NA	NA	\$38.50	\$26	
*Twinkle, Twinkle (CT) 🍷	3/11, 3 PM		\$18	\$18	\$16			\$18	\$18	\$16			
Herbie Hancock (OH)	3/15, 7:30 PM		\$65.50	\$58.50	\$52.50	\$35.50	\$30.50	\$62.50	\$56.50	\$49.50	\$32.50	\$28.50	
Cats (OH)	3/16, 8 PM		NA	\$63	\$55	\$45	\$35	NA	\$56.50	\$49.50	\$40.50	\$31.50	
	3/17, 2 PM 🍷		\$69	\$63	\$55	\$45	\$35	\$62	\$56.50	\$49.50	\$40.50	\$31.50	
	3/17, 8 PM		NA	\$63	\$55	\$45	\$35	NA	\$56.50	\$49.50	\$40.50	\$31.50	
	3/18, 1 PM		\$69	\$63	\$55	\$45	\$35	\$62	\$56.50	\$49.50	\$40.50	\$31.50	
	3/18, 6:30 PM		\$69	\$63	\$55	\$45	\$35	\$62	\$56.50	\$49.50	\$40.50	\$31.50	
The Second City (OH)	3/24, 8 PM		NA	\$35.50	\$28.50	\$21.50	\$16.50	NA	\$32.50	\$25.50	\$18.50	\$13.50	
Alvin Ailey (OH)	3/27, 7:30 PM		NA	\$62.50	\$55.50	\$40.50	\$35.50	NA	\$59.50	\$51.50	\$37.50	\$32.50	
Simply Barbra (CT)	3/30, 8 PM		NA	\$20	\$18			NA	\$20	\$18			
*Luma Theater (OH) 🏠	4/15, 7:30 PM		NA	\$20	\$15	\$15	\$12	NA	\$20	\$15	\$15	\$12	
Itzhak Perlman (OH)	4/19, 7:30 PM		NA	\$85.50	\$75.50	\$49.50	\$40.50	NA	\$85.50	\$75.50	\$49.50	\$40.50	
An Evening with Groucho (CT)	4/21, 8 PM		\$35.50	\$29.50	\$21.50			\$32.50	\$26.50	\$18.50			
The Addams Family (OH)	5/1, 7:30 PM		NA	NA	\$60	\$50	\$40	NA	NA	\$42	\$37.50	\$28	
	5/2, 7:30 PM		NA	NA	\$60	\$50	\$40	NA	NA	\$42	\$37.50	\$28	
	5/3, 7:30 PM		NA	\$75	\$70	\$53	\$40	NA	\$65	\$60.75	\$47.50	\$34	
	5/4, 8 PM		NA	\$75	\$70	\$53	\$40	NA	\$75	\$70	\$53	\$40	
	5/5, 2 PM 🍷		NA	\$75	\$70	\$53	\$40	NA	\$72.50	\$67.75	\$53	\$40	
	5/5, 8 PM		NA	\$75	\$70	\$53	\$40	NA	\$75	\$70	\$53	\$40	
	5/6, 1 PM		\$80	\$75	\$70	\$53	\$40	\$76	\$72.50	\$67.75	\$53	\$40	
	5/6, 6:30 PM		\$80	\$75	\$70	\$53	\$40	\$68	\$65	\$60.75	\$47.50	\$34	
Cabaret Dinner: Chanteur (CTS)	5/3, 7 PM		\$75					\$75					
Whose Live Anyway? (OH)	5/19, 8 PM		NA	NA	\$40.50	\$30.50	\$25.50	NA	NA	\$40.50	\$30.50	\$25.50	
Billy Elliot the Musical (OH)	7/10, 7:30 PM		NA	NA	\$65	\$50	\$40	NA	NA	\$58.50	\$45	\$32	
	7/11, 7:30 PM		\$75	\$70	\$65	\$50	\$40	\$60	\$63	\$58.50	\$45	\$32	
	7/12, 7:30 PM		\$75	\$80	\$70	\$53	\$40	\$76.50	\$73.25	\$64.25	\$50.25	\$38	
	7/13, 8 PM		\$75	\$80	\$70	\$53	\$40	\$85	\$80	\$70	\$53	\$40	
	7/14, 2 PM 🍷		\$75	\$80	\$70	\$53	\$40	\$85	\$80	\$70	\$53	\$40	
	7/14, 8 PM		\$75	\$80	\$70	\$53	\$40	\$85	\$80	\$70	\$53	\$40	
	7/15, 1 PM		\$75	\$80	\$70	\$53	\$40	\$85	\$80	\$70	\$53	\$40	
	7/15, 6:30 PM		\$75	\$80	\$70	\$53	\$40	\$76.50	\$73.25	\$64.25	\$50.25	\$38	
SUBTOTAL													

*LAP SEATS \$3 lap seats are available for shows marked with an asterisk. To indicate that you would like to purchase a lap seat print the performance name, date and time below.

PERFORMANCE	DATE/TIME	PERFORMANCE	DATE/TIME
LAP SEAT SUBTOTAL			

LEGEND


(OH) Overture Hall

(CT) Capitol Theater

(CTS) Capitol Theater Stage

Unless otherwise indicated, children must be 6 years old to attend performances.

 Designed for youth

 All ages admitted at parents' discretion

 Sign-language interpreted

OVERTURE HALL SEATING

- Orchestra Mezzanine
 Circle Balcony
 Best available

CAPITOL THEATER SEATING

- Orchestra Mezzanine
 Circle Balcony
 Best available

If seats in my preferred price level are sold out, assign me the next best seats.

TOTALS	
SUBTOTAL	
LAP SEAT SUBTOTAL	
SERVICE CHARGE	\$10.00
TAX-DEDUCTIBLE DONATION*	
TOTAL ENCLOSED	

* Please consider a tax-deductible donation to Overture Center. You can play a pivotal role in making arts experiences real for hundreds of thousands of people right here in the greater Madison area. For more information on giving levels and benefits, visit overturecenter.com/contribute. Together, we are the Arts.

Ticket prices include sales tax and facility charges. Subscription orders will not be taken over the phone.

Prices are subject to change.

Checks will be deposited upon receipt of your order. Refunds will be made in the event we are unable to process your order as requested, or if a show is cancelled or rescheduled.

OFFICE USE ONLY

ACCESSIBILITY

Please check below if you have any accessibility requests:

- Wheelchair or mobility device seating Transfer seats
 Access without stairs Service animal accommodations
 Front-of-house seating for vision or hearing impairments Braille programs
 Sign language

Sign language-interpreted performances must be arranged at least four weeks prior to a performance. Please indicate below if you have any other requests, and we will do our best to accommodate them.

ADDRESS AND PAYMENT INFORMATION

Name _____

Address _____

City _____ State _____ Zip _____

Ph (Day) _____ (Eve) _____

Email _____

Add me to your email list for Overture updates and information.

Check or money order payable to Overture Center for \$_____ enclosed.

Charge to: VISA MC Am Ex Discover

Card No. _____ Exp. _____

Signature _____

MAIL ORDER FORM WITH PAYMENT TO:

Overture Center Ticket Office
201 State Street, Madison, WI 53703-2214

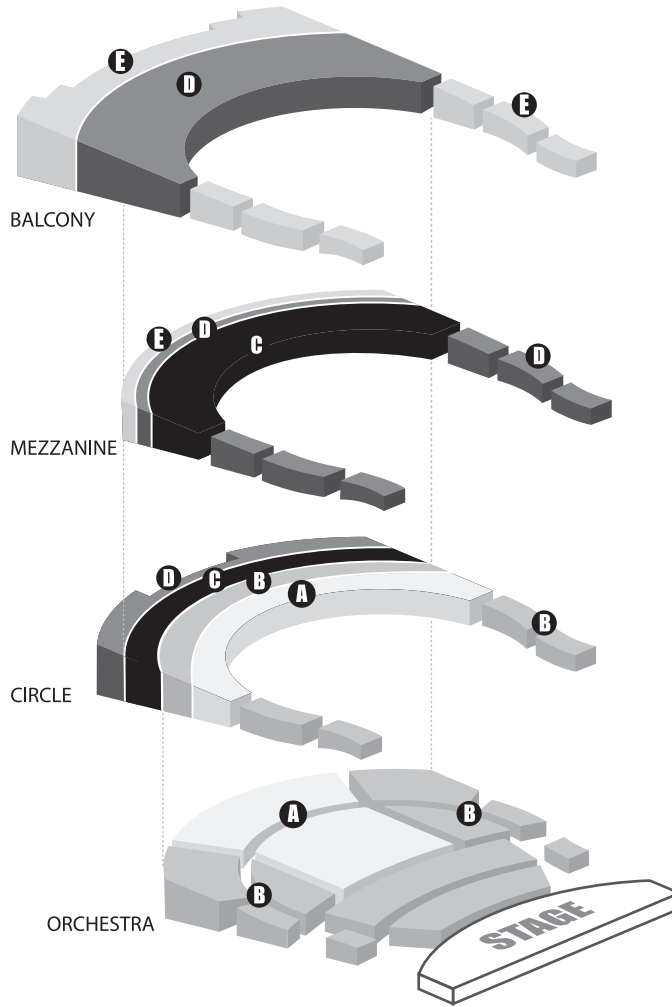
FAX CREDIT CARD ORDERS TO: 608.258.4966

Ticket Office: 608.258.4143 | tickets@overturecenter.com

OVERTURECENTER.COM

OVERTURE CENTER SEATING CHARTS

Overture Hall



Capitol Theater

